

Installation instructions for PZ4AL-02580-00

TOYOTA RAV 4

Under Run Protective Shield engine bay and transmission case



Model Year

2000-

Vehicle Code

Part Number

PZ4AL- 02580- 00



Weight

12.11 Kg

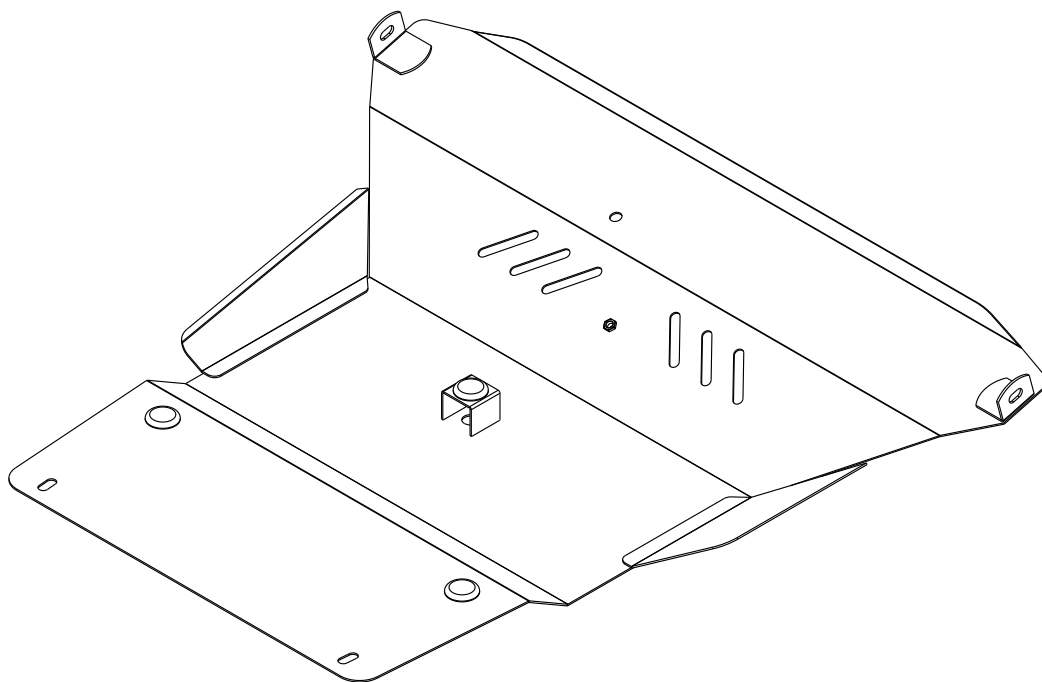


Installation Time

30min

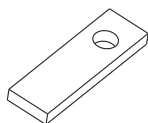
Part number: PZ4AL-02580-00

A



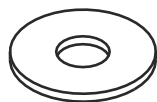
PZ4AL- 02580- 60

B



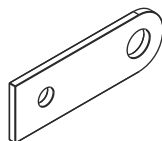
x3 SD 3003

C



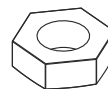
x9 SD 7001

D



x1 SD 9001

E



2 x M 10

F1



1 x M 8x30

F2



3 x M 10x30

F3



2 x M 10x50

F4



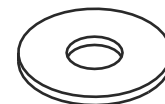
2 x M 10x70

G1

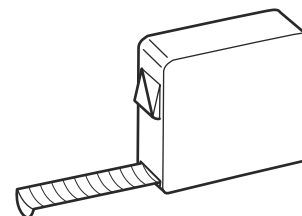
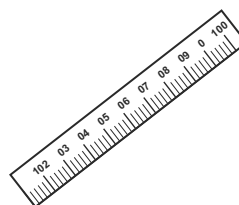
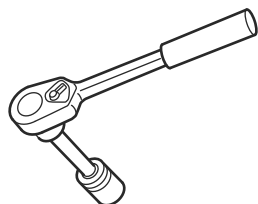


1x Ø8

G2



7x Ø10



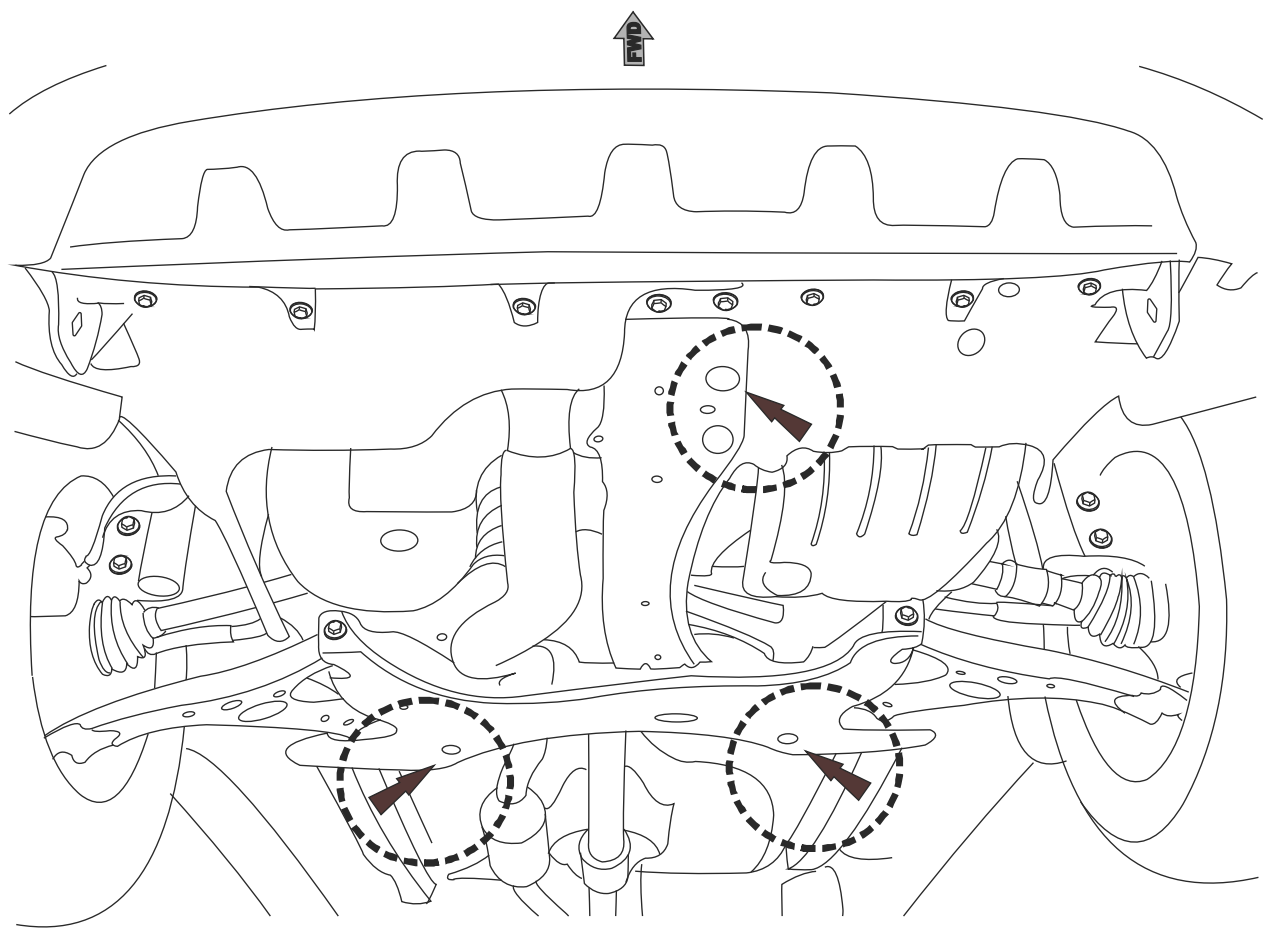
Part number:
PZ4AL- 002580- 00

Issue:
0

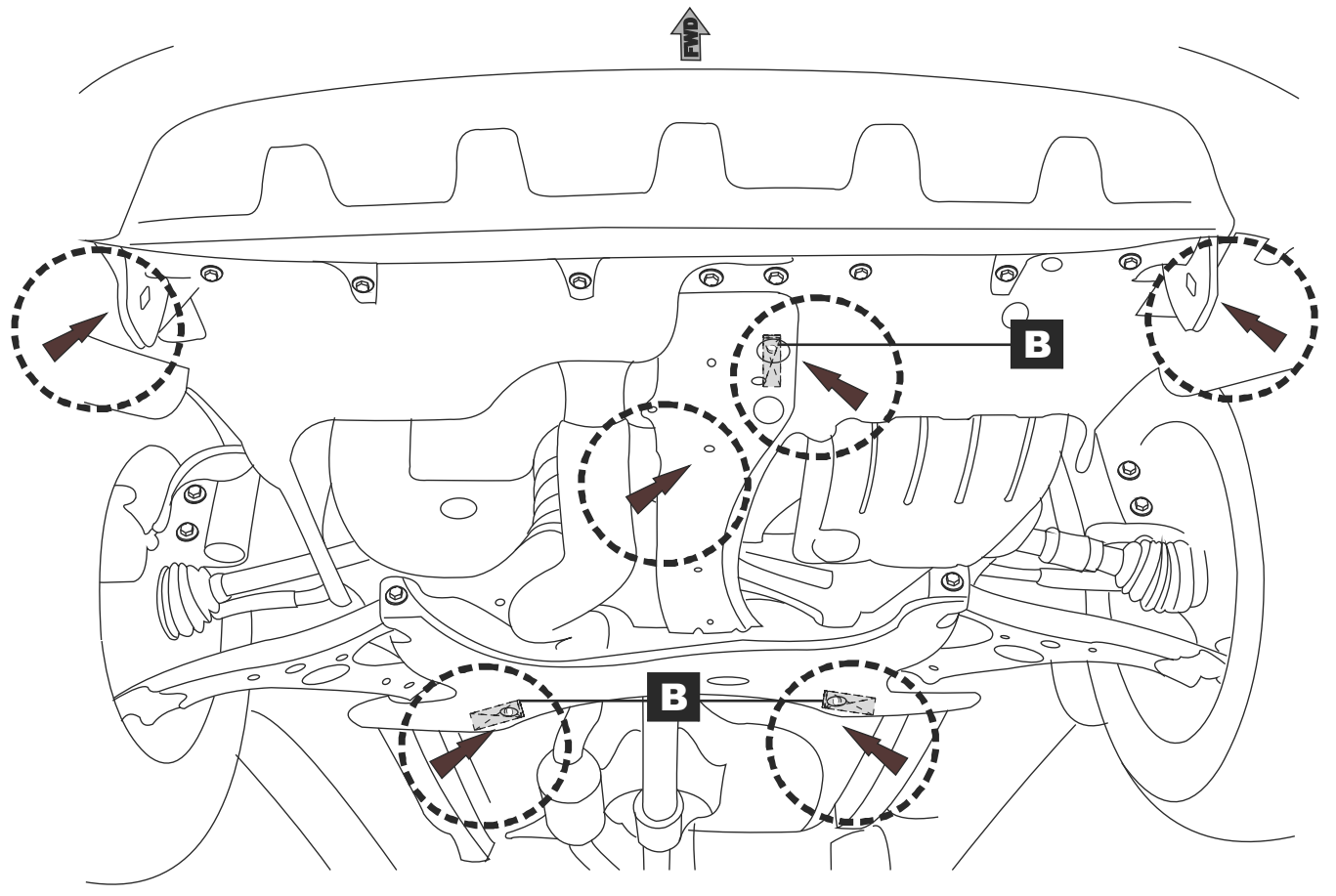
Date:
14/07/10

Page:
2/4

1



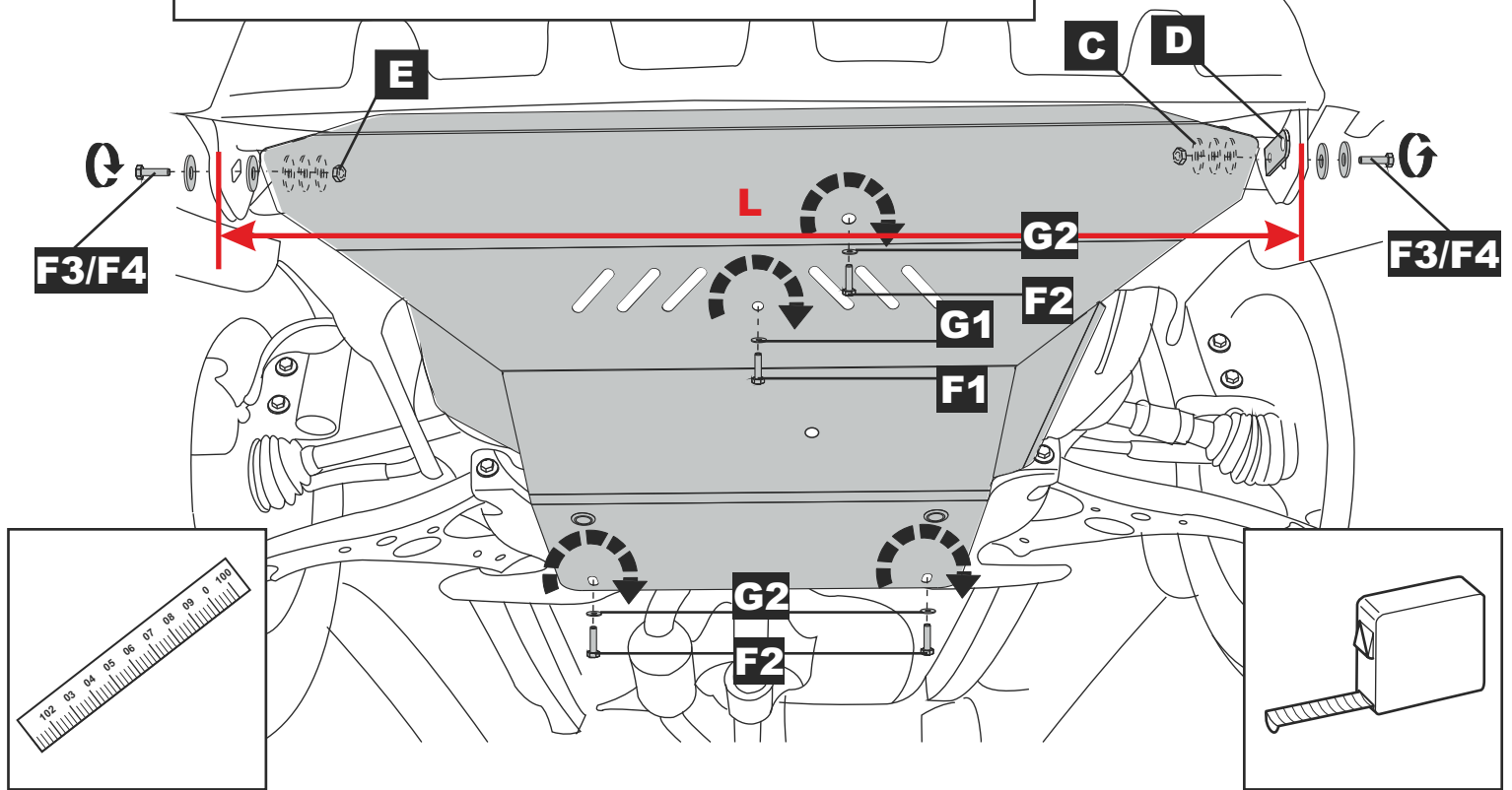
2



3

L= 990 mm →  M10x 50

L= 1035 mm →  M10x 70 +  x6 SD 7001



4

